

Speaker

Model: OSS33-8031-18A2.0W8-C



ELECTRICAL SPECIFICATIONS

	Condition	Parameter	Unit
Sound Pressure Level	at 2.0W, 0.1M [at 0.8, 1.0, 1.2, 1.5KHz]	100 ± 3	dB
Impedance	at 1V, 1000Hz	8 ± 15%	Ω
Rated Input Power		2	W
Max Input Power		3	W
Resonant Frequency (Fo)	at 1V	650 ± 20%	Hz
Frequency Range		200 ~ 20000	Hz
Buzzer & Rattles	not be audible at sine wave between 200 ~ 20KHz	4	V
Operating Temperature		-30 ~ 70	°C
Magnet		Nd-Fe-B	
Frame Material		ABS	
Cone Material		Cloth	
Weight		55	g

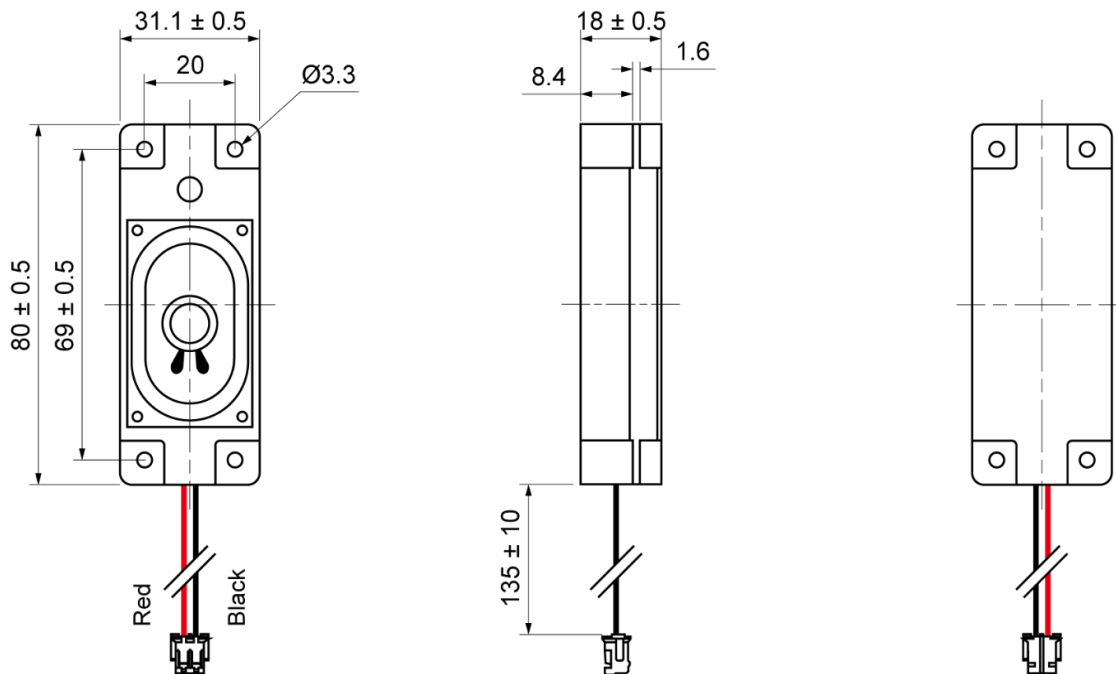
MECHANICAL DRAWING

Dimensions in mm

Wire: UL1571, 28#AWG

Tolerance ±0.5mm Except Specified

Connector: substitute JST PHR-2



Speaker

Model: OSS33-8031-18A2.0W8-C

FREQUENCY RESPONSE CURVE

